



SSCSSS22DA THRU SSCSSS220DA

Schottky Barrier Diode

● Features

- ✧ Reverse Voltage - 20 to 200 V
- ✧ Forward Current - 2.0A
- ✧ Low profile package
- ✧ Ideal for automated placement
- ✧ Ultrafast reverse recovery time
- ✧ Low power losses, high efficiency
- ✧ Low forward voltage
- ✧ High surge capability
- ✧ UL Flammability Classification Rating 94V-0
- ✧ High temperature soldering: 260°C/10 seconds at terminals

● PIN configuration



SMA/DO-214AC



Circuit Diagram



Marking

(SS24:SSCSSS24DA Marking Code)

● Applications

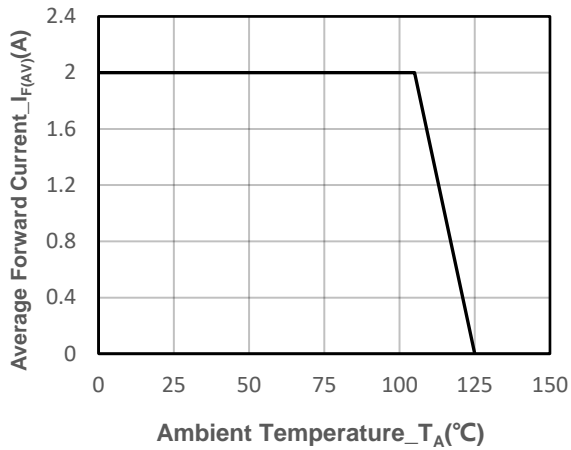
- ✧ Low Voltage
- ✧ High-Frequency Inverters
- ✧ Free Wheeling
- ✧ Polarity Protection

● Absolute maximum rating @T_A=25°C

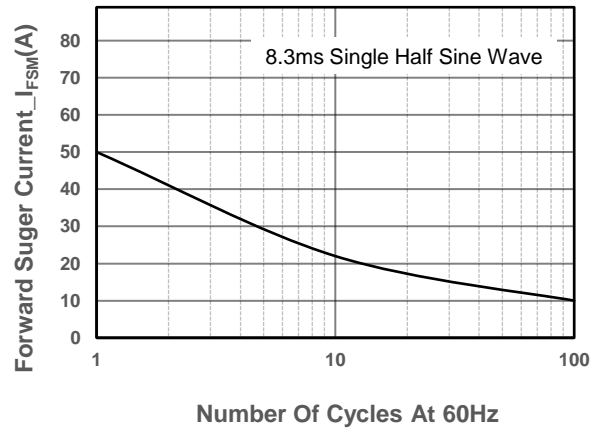
| Parameter | Symbol | SS22DA | SS24DA | SS26DA | SS210DA | SS215DA | SS220DA | Unit |
|--|--------------------|------------|--------|--------|---------|---------|---------|------|
| Maximum Peak Repetitive Peak Reverse Voltage | V _{RRM} | 20 | 40 | 60 | 100 | 150 | 200 | V |
| Maximum RMS Voltage | V _{RMS} | 14 | 28 | 42 | 70 | 105 | 140 | V |
| Maximum DC Blocking Voltage | V _{DC} | 20 | 40 | 60 | 100 | 150 | 200 | V |
| Maximum Average Forward Rectified Current | I _{F(AV)} | 2.0 | | | | | | A |
| Non-repetitive Peak Forward Surge Current @t=8.3ms | I _{FSM} | 50 | | | | | | A |
| Max Instantaneous Forward Voltage at 3 A | V _F | 0.6 | 0.6 | 0.75 | 0.85 | 0.95 | 0.95 | V |
| Maximum DC Reverse Current T _a = 25 °C at Rated DC Blocking Voltage T _a =125 °C | I _R | 500 | | | | | | μA |
| | | 20 | | | | | | mA |
| Operating Temperature | T _J | -55 ~ +125 | | | | | | °C |
| Storage Temperature | T _{STG} | -55 ~ +150 | | | | | | °C |



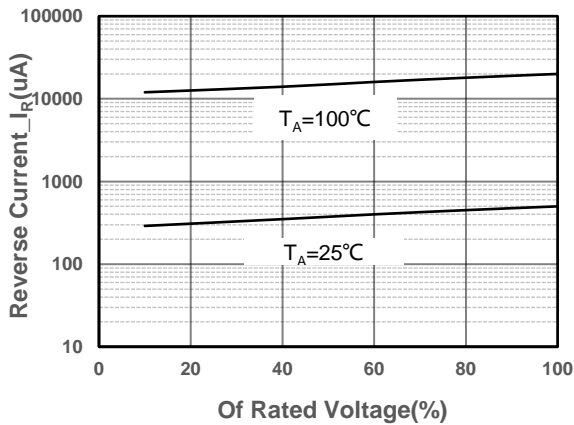
● Typical Performance Characteristics



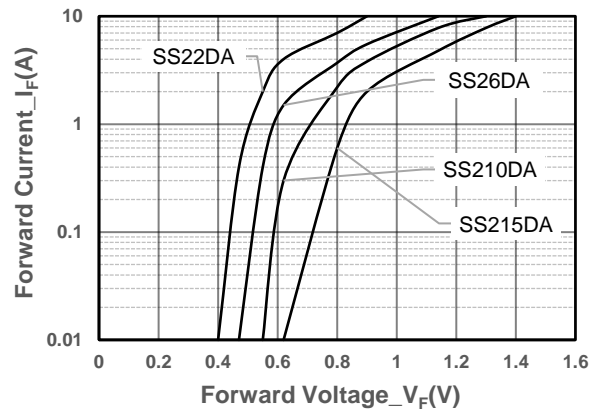
I_o -TL Curve



Surge Forward Current Capability Voltage



Typical Reverse Characteristics



Forward Voltage vs. Forward Current



● Package Information

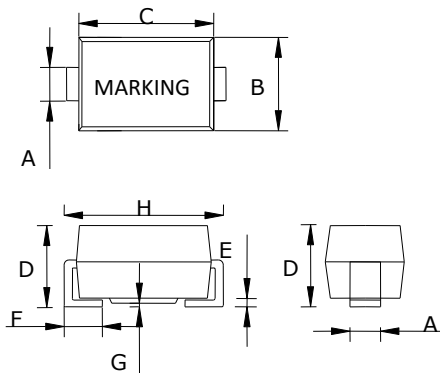
Ordering Information

| Device | Package | Marking | Qty per Reel | Reel Size |
|-------------|--------------|---------|--------------|-----------|
| SSCSSS22DA | SMA/DO-214AC | SS22 | 5000 | 13 Inch |
| SSCSSS24DA | SMA/DO-214AC | SS24 | 5000 | 13 Inch |
| SSCSSS26DA | SMA/DO-214AC | SS26 | 5000 | 13 Inch |
| SSCSSS210DA | SMA/DO-214AC | SS210 | 5000 | 13 Inch |
| SSCSSS215DA | SMA/DO-214AC | SS215 | 5000 | 13 Inch |
| SSCSSS220DA | SMA/DO-214AC | SS220 | 5000 | 13 Inch |

Mechanical Data

Case: SMA/DO-214AC

Case Material: Molded Plastic. UL Flammability



| DIM | Millimeters | | |
|-----|-------------|-------|-------|
| | Min | Nom | Max |
| A | 1.40 | 1.50 | 1.60 |
| B | 2.50 | 2.67 | 2.90 |
| C | 4.00 | 4.40 | 4.50 |
| D | 2.00 | 2.25 | 2.45 |
| E | 0.05 | 0.200 | 0.203 |
| F | 0.76 | 1.14 | 1.52 |
| G | - | - | 0.203 |
| H | 4.90 | 5.0 | 5.30 |

Recommended Pad outline





DISCLAIMER

AFSEMI RESERVES THE RIGHT TO MAKE CHANGES WITHOUT FURTHER NOTICE TO ANY PRODUCTS HEREIN TO IMPROVE RELIABILITY, FUNCTION OR DESIGN. AFSEMI DOES NOT ASSUME ANY LIABILITY ARISING OUT OF THE APPLICATION OR USE OF ANY PRODUCT OR CIRCUIT DESCRIBED HEREIN; NEITHER DOES IT CONVEY ANY LICIENCE UNDER ITS PATENT RIGHTS, NOR THE RIGHTS OF OTHERS.

THE GRAPHS PROVIDED IN THIS DOCUMENT ARE STATISTICAL SUMMARIES BASED ON A LIMITED NUMBER OF SAMPLES AND ARE PROVIDED FOR INFORMATIONAL PURPOSE ONLY. THE PERFORMANCE CHARACTERISTICS LISTED IN THEM ARE NOT TESTED OR GUARANTEED. IN SOME GRAPHS, THE DATA PRESENTED MAY BE OUTSIDE THE SPECIFIED OPERATING RANGE (E.G., OUTSIDE SPECIFIED POWER SUPPLY RANGE) AND THEREFORE OUTSIDE THE WARRANTED RANGE.