

15V Input , 250mA , Low Current Consumption , CMOS LDO
Description

The AF73XXM series is a set of three-terminal low power high voltage regulators implemented in CMOS technology. They allow input voltages as high as 15V. They are available with several fixed output voltages ranging from 2.5V to 5V. CMOS technology ensures low voltage drop and low quiescent current. Although designed primarily as fixed voltage regulators, these devices can be used with external components to obtain variable voltages and currents.

Applications

- Portable consumer equipment
- Wireless handsets, Smart Phones
- Bluetooth, Digital cameras and Digital audio
- PDAs and other handheld products

Device Information

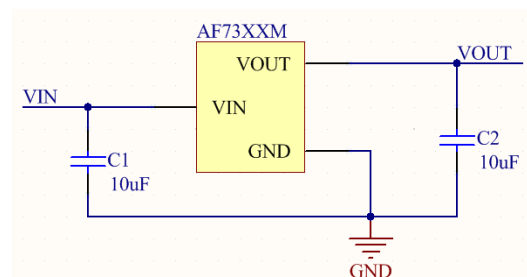
AF 73 XX M – P/N/M R/G

① ② ③ ④ ⑤ ⑥

①	Standard
②	Product Series
③	Output Voltage e.g. 25 = 2.5V
④	Medium Voltage
⑤	M: SOT-23-3 Package
	P: SOT-89-3 Package
	N: SOT-23 Package
⑥	R: RoHS / Pb Free
	G: Halogen Free

Features

- Input Voltage Range: up to 15V
- Output Voltage Range: 2.5V~5V
- Output Current: 250mA
- Quiescent Current: 2uA
- Dropout Voltage : 100mV@40mA
- Fixed Voltage Accuracy: $\pm 2\%$ (Typ.)
- PSRR: 40dB at 1kHz
- Low Output Noise
- Excellent Line and Load Transient Response
- Short-Circuit Protection, Built-in Current Limiter

Typical Application

Pin Configuration

Symbol	Package Pin	
	SOT23 SOT23-3	SOT89-3
GND	1	1
OUT	2	3
VIN	3	2

**✚ Absolute Maximum Ratings⁽¹⁾**

(Unless otherwise specified, all voltage are with respect to GND, TA=25°C)

PARAMETER		SYMBOL	RATINGS	UNITS
Input Voltage		V _{IN}	-0.3~18	V
Output Voltage		V _{OUT}	-0.3~V _{IN}	V
Power Dissipation	SOT23	P _D	0.25	W
	SOT23-3		0.3	W
	SOT89-3		0.5	W
Operating Junction Temperature Range		T _J	-40~125	°C
Storage Temperature		T _{STG}	-40~125	°C
Lead Temperature(Soldering, 10 sec)		T _L	260	°C

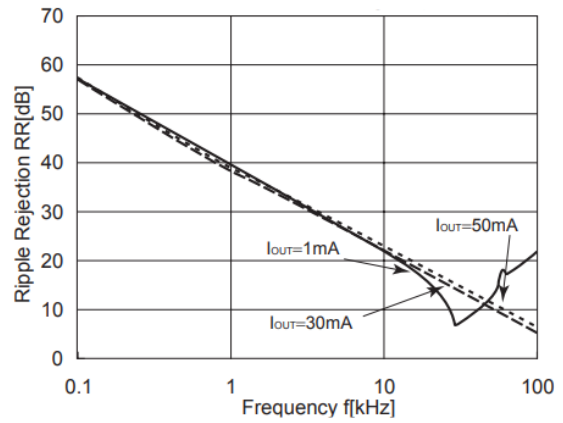
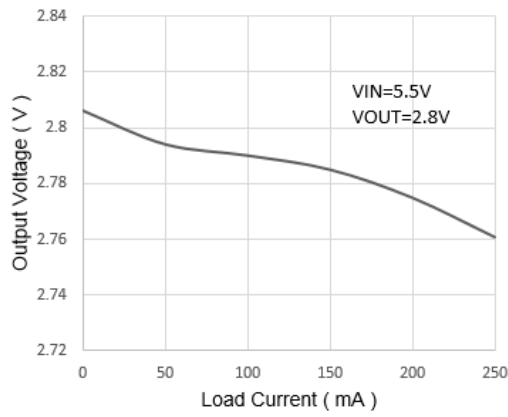
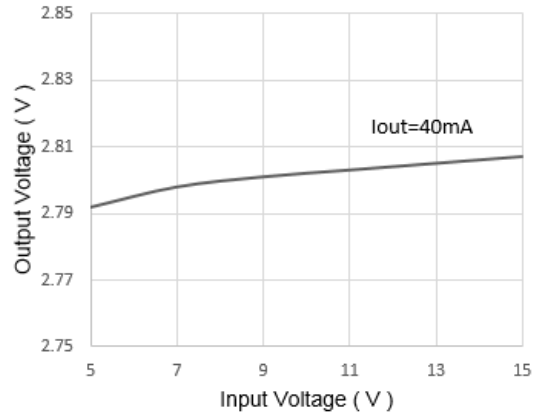
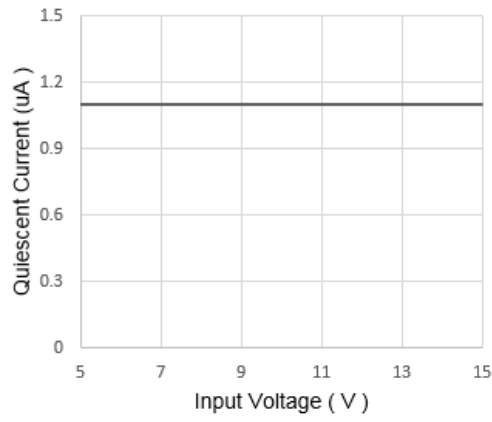
(1). Stresses beyond those listed under absolute maximum ratings may cause permanent damage to the device. These are stress ratings only, and functional operation of the device at these or any other conditions beyond those indicated under recommended operating conditions is not implied. Exposure to absolute-maximum-rated conditions for extended periods may affect device reliability.

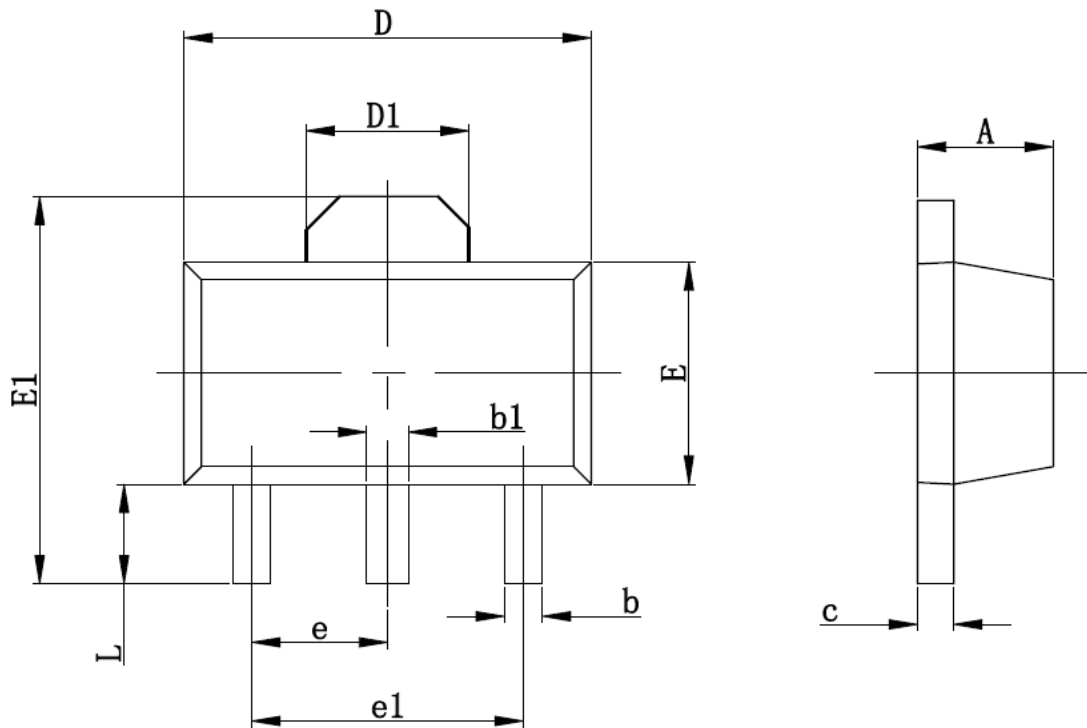
✚ Electronics Characteristics(Unless otherwise specified, V_{IN}=V_{OUT}+1V, C_{IN}=C_{OUT}=1uF, TA=25°C)

PARAMETER	SYMBOL	CONDITIONS	MIN	TYP	MAX	UNIT
Input Voltage	V _{IN}				15	V
Output Voltage	V _{OUT}		0.98 V _{OUT}	V _{OUT}	1.02 V _{OUT}	V
Dropout Voltage	V _{DIF}	I _{OUT} =40mA		100		mV
Quiescent Current	I _Q	I _{OUT} =0		2	3	uA
Line Regulation	ΔV _{LINE}	I _{OUT} =40mA 3.5V≤V _{IN} ≤15V		0.2		%/V
Load Regulation	ΔV _{LOAD}	V _{IN} =V _{OUT} +1V 1mA≤I _{OUT} ≤60mA		45	90	mV
Temperature Coefficient	TC	I _{OUT} =40mA 0°C<T _A <85°C		±0.5		mV/ °C
Current Limit	I _{LIM}	V _{OUT} =0.5xV _{OUT} V _{IN} = 5V		350		mA
Power Supply Rejection Ratio	PSRR	I _{OUT} =1mA 1kHz		40		dB

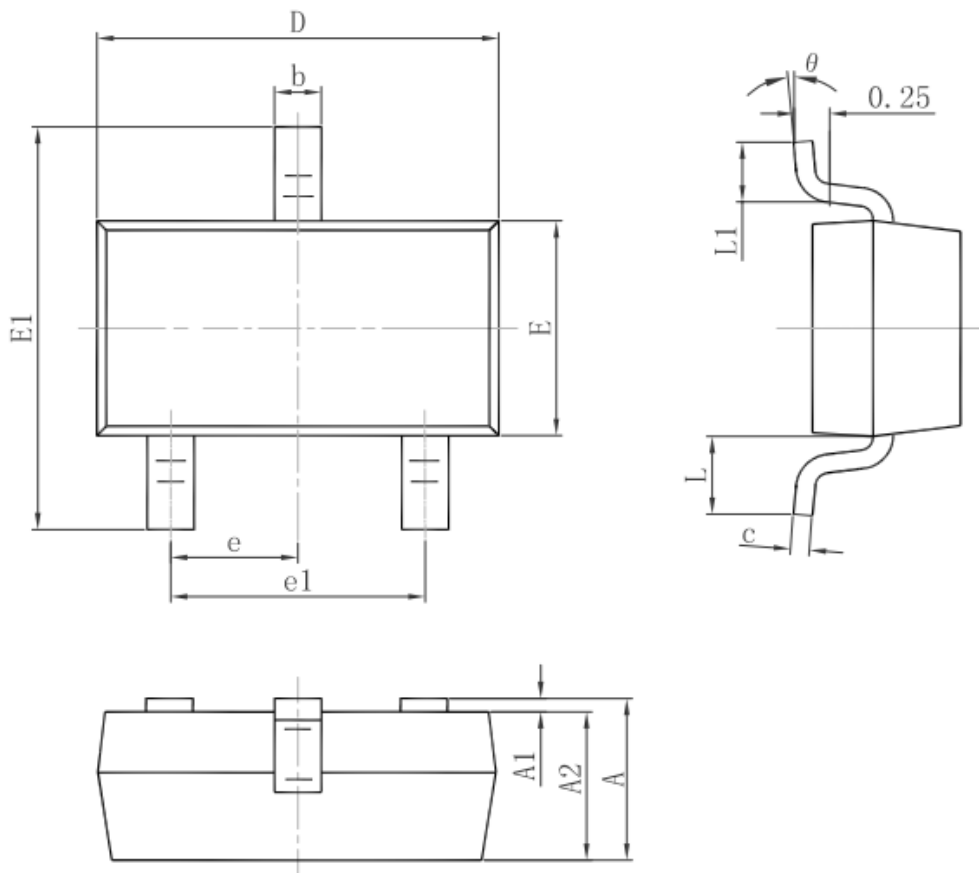
Typical Characteristics

(Unless otherwise specified, $V_{IN}=V_{OUT}+1V$, $C_{IN}=C_{OUT}=1\mu F$, $T_A=25^\circ C$)

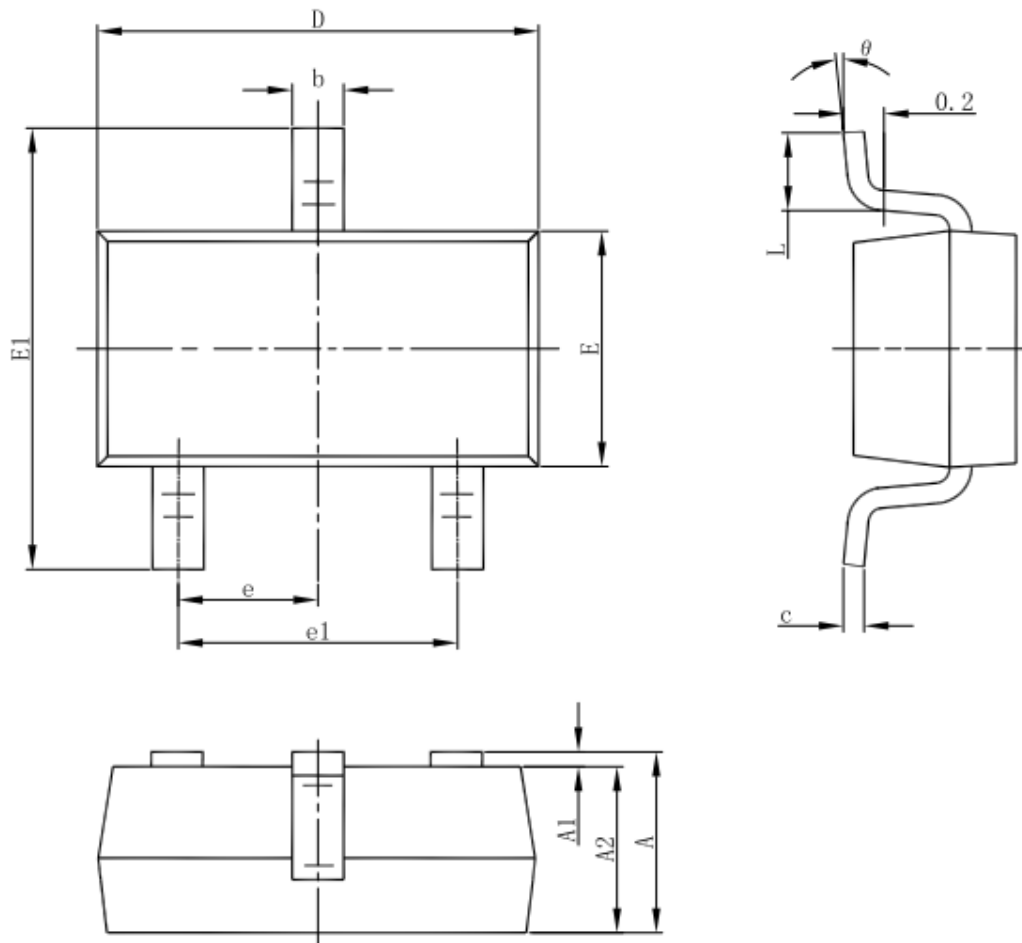


Package Information

SOT89-3

Symbol	Dimensions In Millimeters		Dimensions In Inches	
	Min	Max	Min	Max
A	1.400	1.600	0.055	0.063
b	0.350	0.520	0.013	0.197
b1	0.400	0.580	0.016	0.023
c	0.350	0.440	0.014	0.017
D	4.400	4.600	0.173	0.181
D1	1.550 REF		0.061 REF	
E	2.350	2.550	0.091	0.102
E1	3.940	4.250	0.155	0.167
e	1.500 TYP		0.060TYP	
e1	3.000 TYP		0.118TYP	
L	0.900	1.100	0.035	0.047


SOT23

Symbol	Dimensions In Millimeters		Dimensions In Inches	
	Min.	Max.	Min.	Max.
A	0.900	1.150	0.035	0.045
A1	0.000	0.100	0.000	0.004
A2	0.900	1.050	0.035	0.041
b	0.300	0.500	0.012	0.020
c	0.080	0.150	0.003	0.006
D	2.800	3.000	0.110	0.118
E	1.200	1.400	0.047	0.055
E1	2.250	2.550	0.089	0.100
e	0.950 TYP.		0.037 TYP.	
e1	1.800	2.000	0.071	0.079
L	0.550 REF.		0.022 REF.	
L1	0.300	0.500	0.012	0.020
θ	0°	8°	0°	8°


SOT23-3

Symbol	Dimensions In Millimeters		Dimensions In Inches	
	Min	Max	Min	Max
A	1.050	1.250	0.041	0.049
A1	0.000	0.100	0.000	0.004
A2	1.050	1.150	0.041	0.045
b	0.300	0.500	0.012	0.020
c	0.100	0.200	0.004	0.008
D	2.820	3.020	0.111	0.119
E	1.500	1.700	0.059	0.067
E1	2.650	2.950	0.104	0.116
e	0.950(BSC)		0.037(BSC)	
e1	1.800	2.000	0.071	0.079
L	0.300	0.600	0.012	0.024
θ	0°	8°	0°	8°



Order Information

Voltage	SOT89-3	Marking	SOT23 SOT23-3	Marking
2.5	√	7325-A	√	325
2.8	√	7328-A	√	328
3.0	√	7330-A	√	330
3.3	√	7333-A	√	333
3.6	√	7336-A	√	336
4.0	√	7340-A	√	340
4.4	√	7344-A	√	344
5.0	√	7350-A	√	350

Package	Packing	Shipping
SOT23	Tape and Reel	3K/Reel
SOT23-3		3K/Reel
SOT89-3		1K/Reel

DISCLAIMER

AFSEMI RESERVES THE RIGHT TO MAKE CHANGES WITHOUT FURTHER NOTICE TO ANY PRODUCTS HEREIN TO IMPROVE RELIABILITY, FUNCTION OR DESIGN. AFSEMI DOES NOT ASSUME ANY LIABILITY ARISING OUT OF THE APPLICATION OR USE OF ANY PRODUCT OR CIRCUIT DESCRIBED HEREIN; NEITHER DOES IT CONVEY ANY LICIENCE UNDER ITS PATENT RIGHTS, NOR THE RIGHTS OF OTHERS.

THE GRAPHS PROVIDED IN THIS DOCUMENT ARE STATISTICAL SUMMARIES BASED ON A LIMITED NUMBER OF SAMPLES AND ARE PROVIDED FOR INFORMATIONAL PURPOSE ONLY. THE PERFORMANCE CHARACTERISTICS LISTED IN THEM ARE NOT TESTED OR GUARANTEED. IN SOME GRAPHS, THE DATA PRESENTED MAY BE OUTSIDE THE SPECIFIED OPERATING RANGE (E.G. OUTSIDE SPECIFIED POWER SUPPLY RANGE) AND THEREFORE OUTSIDE THE WARRANTED RANGE.